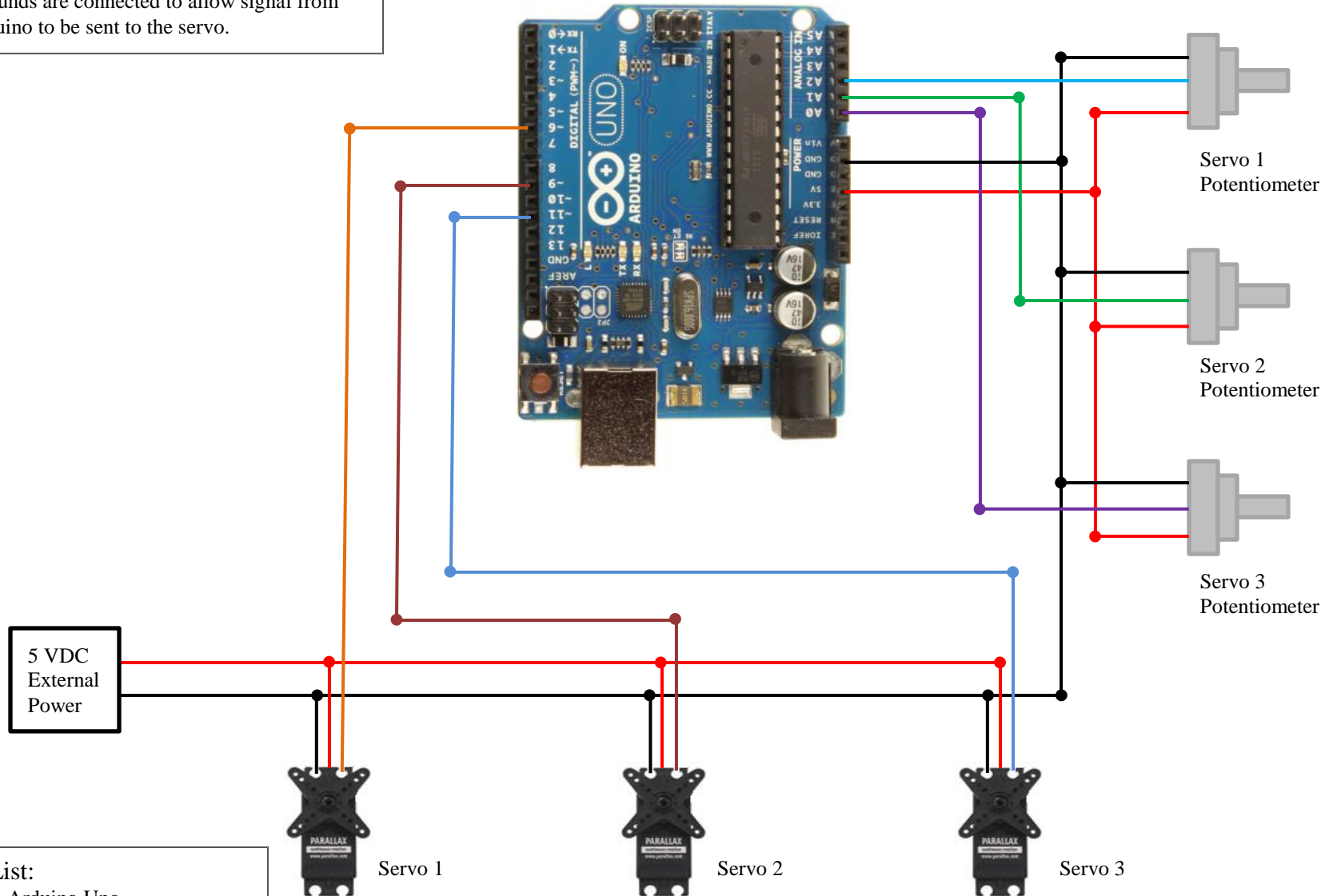


## Servo Control Diagram

Potentiometers used to fine tune speed of motion.  
The grounds are connected to allow signal from the Arduino to be sent to the servo.



### Parts List:

1. Arduino Uno
2. Parallax Continuous Rotation Servos
3. Three 10K Potentiometer
4. 5 vdc External Power
5. Wire and Hardware

Arduino Pinger Project

February 9, 2014

Tim Whitson  
The Fool's Quarter

[twhitson@foolsquarter.com](mailto:twhitson@foolsquarter.com)  
<http://www.foolsquarter.com>