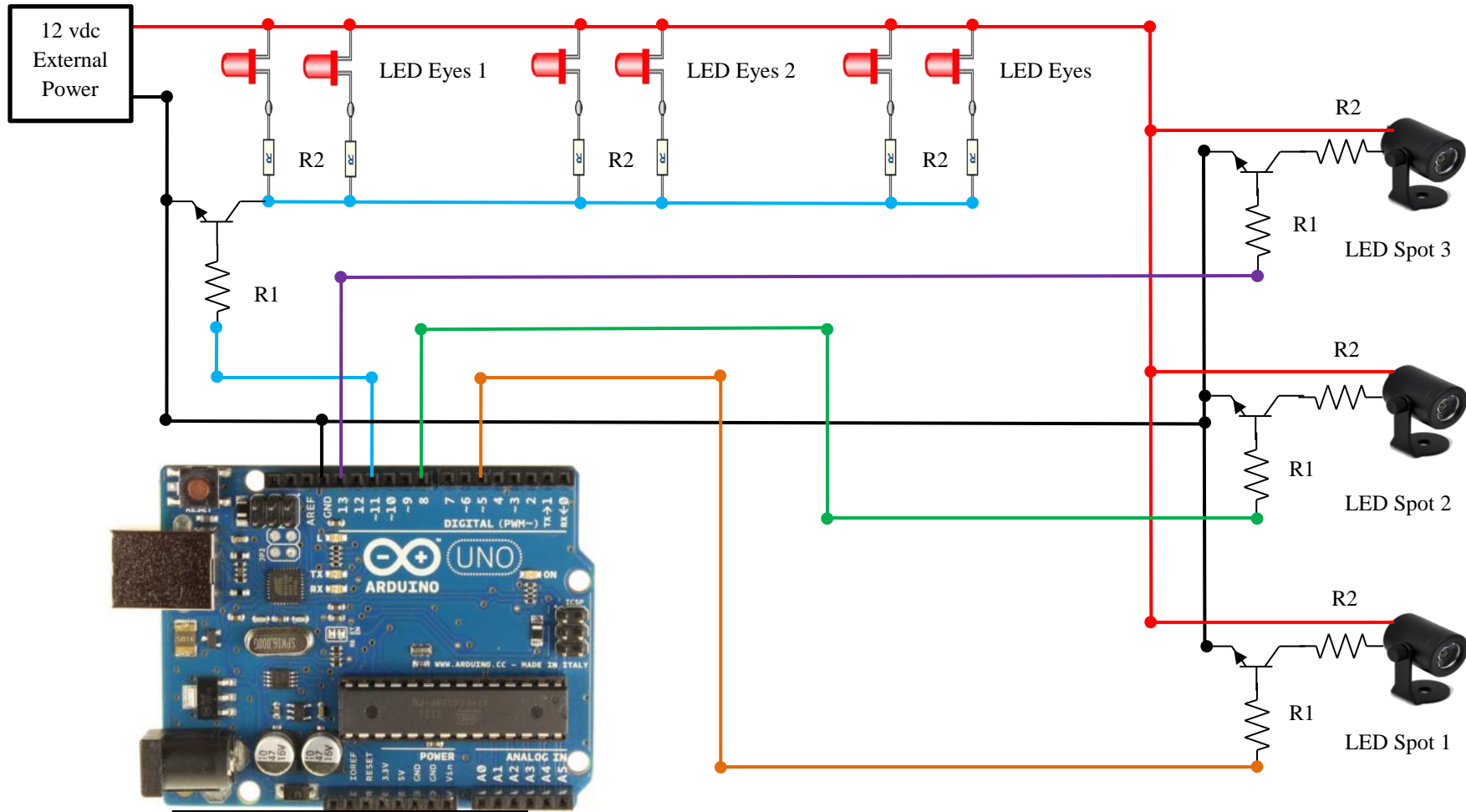


LED Control Diagram

The grounds are connected to allow signal from the Arduino to be sent to servo



Parts List:

1. Arduino Uno
2. Various LEDs
3. R-1 Four 2K ohm resistors
4. R-2 For each LED an 470 ohm resistor
5. Four 2N2222 NPN Transistor

Arduino Pinger Project

February 9, 2014

Tim Whitson
The Fool's Quarter

twhitson@foolsquarter.com
<http://www.foolsquarter.com>